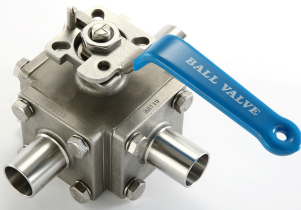




**MODEL: BC(B)-TKH 三通衛生級球閥**



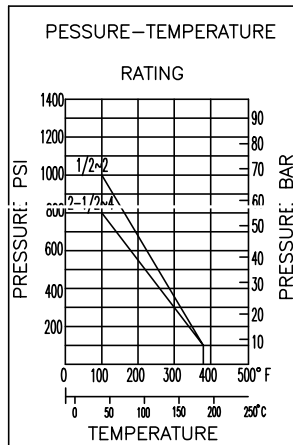
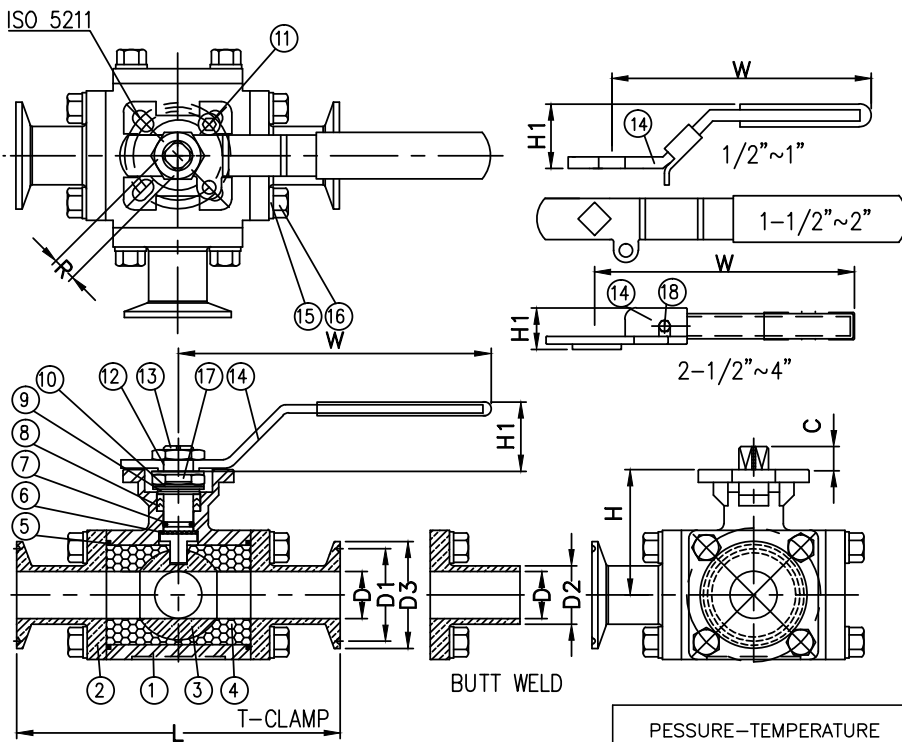
**Three-Way Clamp Ends /  
 Butt Weld Ends Ball Valve**  
**Size: 1/2"-2" 1000PSI**  
**SIZE: 2-1/2"-4": 800PSI**

**FEATURES**

1. INVESTMENT CASTING
2. ADJUSTABLE STEM PACKING
3. BLOW-OUT-PROOF STEM DESIGN
4. FLOATING BALL
5. LOCKING LEVER HANDLE AVAILABLE
6. BUTT WELD ENDS OR CLAMP ENDS
7. T PORT OR L PORT

**MATERIAL LIST**

ITEM	PARTS	MATERIAL
1	BODY	A351-CF8M/CF3M
2	CAP	A351-CF8M/CF3M
3	BALL	A351-CF8M/CF3M
4	SEAT	PTFE/TFM-1600
5	GASKET	PTFE/TFM-1600
6	THRUST WASHER	PTFE/TFM-1600
7	O-RING	VITON
8	STEM PACKING	PTFE/TFM-1600
9	RING	AISI 304
10	BEVEL WASHER	AISI 304
11	STOP PIN	AISI 304
12	NUT	AISI 304
13	STEM	AISI 316/316L
14	HANDLE	AISI 304
15	SPRING WASHER	AISI 304
16	BOLT	AISI 304
17	PREVALING DEVICE	AISI 304
18	NUT	AISI 304



TURN PORT	0°	90°	180°	270°
L				
T				

**DIMENSIONS :**

SIZE	DN	ISO-5211	W	H1	H	C	L	øD	øD3	øD2	R	TOQUE IN/LBS	øD1	BW L±1.0
1/2	15	F03/F04	143	26	44.5	9	118	9.5	25.4	12.7	9	90	21.9	117
3/4	20	F03/F04	143	26	48	9	127	15.8	25.4	19.1	9	110	21.9	125
1	25	F04/F05	160	32	59	11	152.4	22.2	50.4	25.4	11	270	43.5	152.4
1-1/2	40	F05/F07	220	42	72	14	175	35	50.4	38.1	14	320	43.5	175
2	50	F05/F07	220	42	82	14	190	47.6	63.9	50.8	14	740	56.5	190
2-1/2	65	F07/F10	400	37	100	17	228	60.2	77.5	63.5	17	1200	70.5	228
3	80	F10/F12	400	37	125.5	23	260	73	90.9	76.2	22	2000	83.5	260
4	100	F10/F12	400	37	132.5	23	289	97.4	118.9	101.6	22	2250	110	289

UNIT:MM